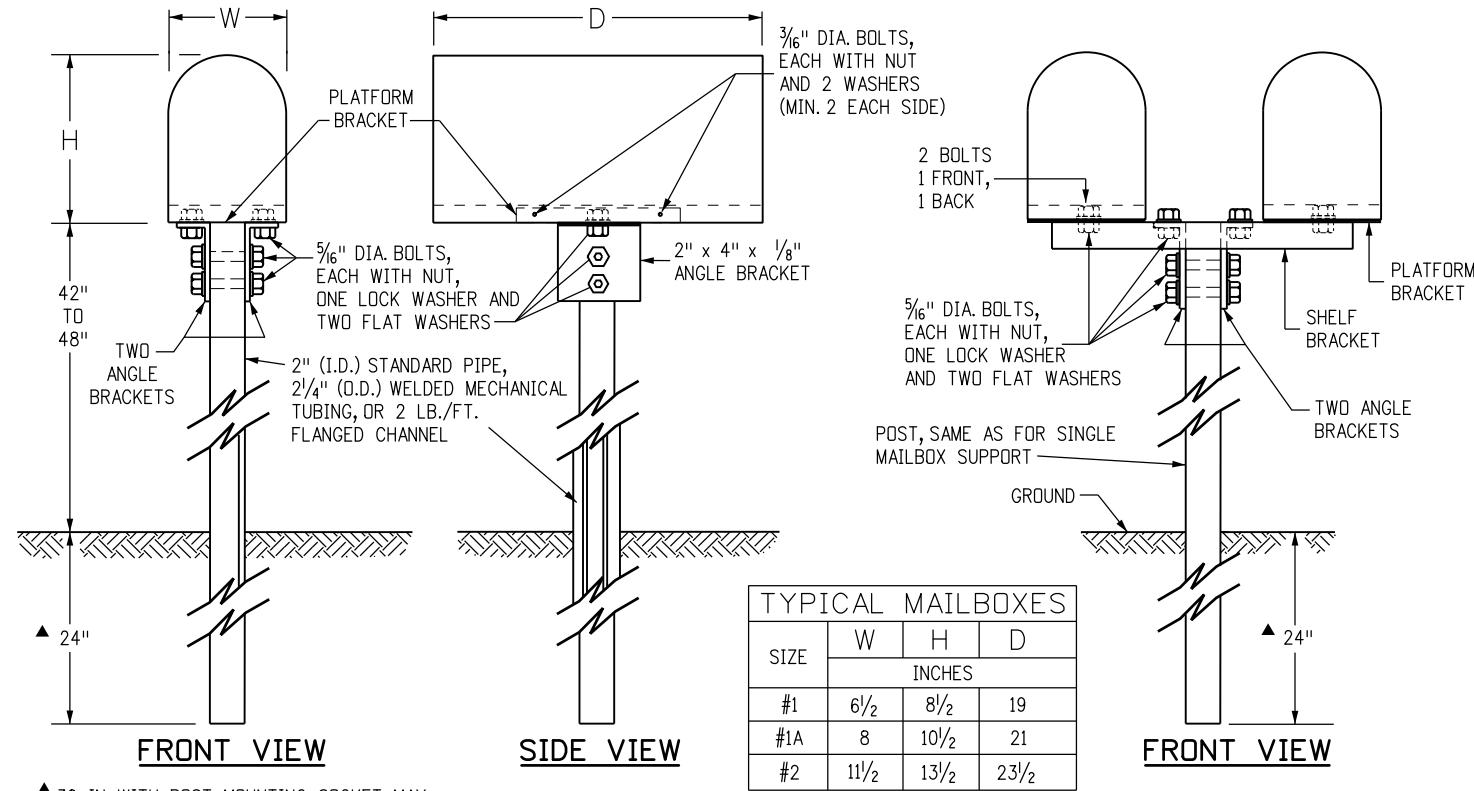


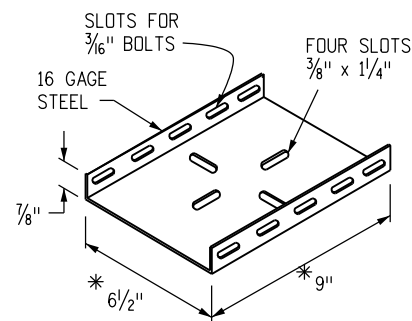
GENERAL NOTES

1. WHEN A MAILBOX TURNOUT IS REQUIRED, THE NECESSARY PAY QUANTITIES WILL BE SHOWN ON THE PLANS.
2. A SINGLE MAILBOX SHALL BE RESET AT THE FINAL DESIGNATED LOCATION ON A NEW TYPE 1 SUPPORT. TWO MAILBOXES RESET AT THE SAME LOCATION SHALL BE RESET ON ONE DOUBLE (TYPE 2) SUPPORT OR ON TWO SINGLE (TYPE 1) SUPPORTS AS DESIGNATED. THREE, FOUR, OR FIVE MAILBOXES SHALL BE RESET ON A MULTIPLE (TYPE 3) SUPPORT. AN EXISTING MAILBOX THAT IS MOUNTED ON A CANTILEVER SUPPORT SHALL BE RESET ON A CANTILEVER (TYPE 4) SUPPORT. ALL WORK AND MATERIALS SHALL BE INCLUDED IN THE UNIT BID PRICE FOR "RESET MAILBOX STRUCTURE (TYPE _)".
3. WHEN THE ENGINEER DETERMINES THAT THE EXISTING MAILBOX CAN NOT BE REUSED, A NEW METAL MAILBOX OF SIMILAR SIZE SHALL BE SUPPLIED AND ERECTED BY THE CONTRACTOR. A NEW PLASTIC MAILBOX CONFORMING TO POSTAL SERVICE SPECIFICATIONS MAY BE USED AS AN ALTERNATIVE WHEN APPROVED BY THE ENGINEER. AN EXISTING MAILBOX LARGER THAN A SIZE NO. 2 SHALL BE REPLACED WITH A NEW SIZE NO. 2 MAILBOX. THE COST OF SUPPLYING THE NEW MAILBOX WILL BE PAID FOR IN ACCORDANCE WITH SUBSECTION 109.04(b). EXCEPTION: A CUSTOM BUILT, RURAL-TYPE MAILBOX MAY BE RESET IF THE MAILBOX OWNER OBTAINS PRIOR WRITTEN APPROVAL FROM THE POSTMASTER.
4. THE ADDRESS INFORMATION THAT APPEARED ON THE ORIGINAL MAILBOX SHALL BE PLACED ON THE APPROACH SIDE OF THE REPLACEMENT MAILBOX. SIZE AND STYLE OF LETTERING AND MATERIALS ARE SUBJECT TO THE ENGINEER'S APPROVAL.
5. POSTS, BRACKETS, AND ALL MOUNTING HARDWARE SHALL BE GALVANIZED IN CONFORMANCE WITH AASHTO M 232 AND M 111, EXCEPT THE WELDED MECHANICAL TUBING COATING SHALL BE G-90 OR EQUIVALENT CONFORMING TO ASTM A 525. A 2 IN. OUTSIDE DIAMETER, 14 GAGE WELDED MECHANICAL TUBING SHALL CONFORM TO THE REQUIREMENTS OF ASTM A 513.
6. EXACT DIMENSIONS OF ANGLES, PLATFORM AND SHELF BRACKETS, BOLT HOLES, SLOTS AND MULTIPLE MAILBOX SUPPORT COMPONENTS MAY VARY FROM THOSE SHOWN OR IMPLIED HEREIN SO THAT ALL COMPONENTS WILL FIT TOGETHER PROPERLY.
7. PLASTIC NEWSPAPER RECEPTACLES MAY BE REMOUNTED BELOW THE MAILBOX ON THE SUPPORT. PLASTIC NEWSPAPER RECEPTACLES SHALL BE MOUNTED IN THEIR INTENDED ORIENTATION USING A GALVANIZED U-BOLT AND HARDWARE OR OTHER MOUNTING SYSTEM APPROVED BY THE ENGINEER. ASSOCIATED COSTS WILL NOT BE PAID FOR SEPARATELY BUT WILL BE INCLUDED IN THE WORK.
8. ON ROADS WITH CURB AND GUTTER, THE MAILBOX SUPPORT SHALL BE LOCATED IN THE GROUND SO THE FRONT OF THE MAILBOX SHALL BE 8 IN. TO 12 IN. BACK FROM THE CURB FACE. THE HEIGHT SHALL BE 42 IN. TO 48 IN. MEASURED FROM THE GUTTER FLOW LINE TO THE BOTTOM OF THE MAILBOX.
9. ON ROADS WITH SIDEWALK ATTACHED TO CURB AND GUTTER, THE MAILBOX SUPPORT SHALL BE LOCATED IN THE GROUND BEHIND THE SIDEWALK. THE FRONT OF THE MAILBOX SHALL BE IN LINE WITH OR SLIGHTLY BEHIND THE EDGE OF THE SIDEWALK. THE MOUNTING HEIGHT SHALL BE 42 IN. TO 48 IN. ABOVE THE SIDEWALK.
10. THE GROUND SURROUNDING THE MAILBOX SUPPORTS SHALL BE FIRM, UNDISTURBED GROUND, OR WELL COMPACTED REGRADED SOIL. THE SUPPORTS ARE NORMALLY DRIVEN, BUT THEY MAY BE PLACED IN A DUG HOLE WITH WELL COMPACTED BACKFILL.
11. PROPRIETARY MAILBOX SUPPORT SYSTEMS LISTED ON THE CDOT APPROVED PRODUCTS LIST WILL BE ACCEPTED AS EQUIVALENT ALTERNATIVES.



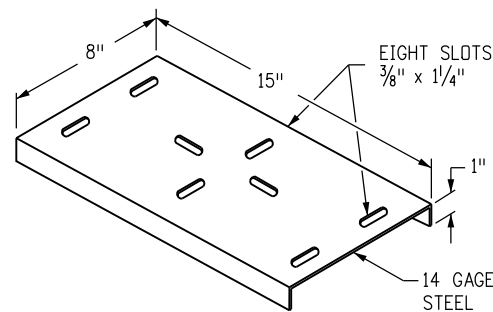
▲ 30 IN. WITH POST MOUNTING SOCKET MAY BE USED, SEE DETAIL ON SHEET 2 OF 2.

SINGLE (TYPE 1) AND DOUBLE (TYPE 2) MAILBOX SUPPORTS

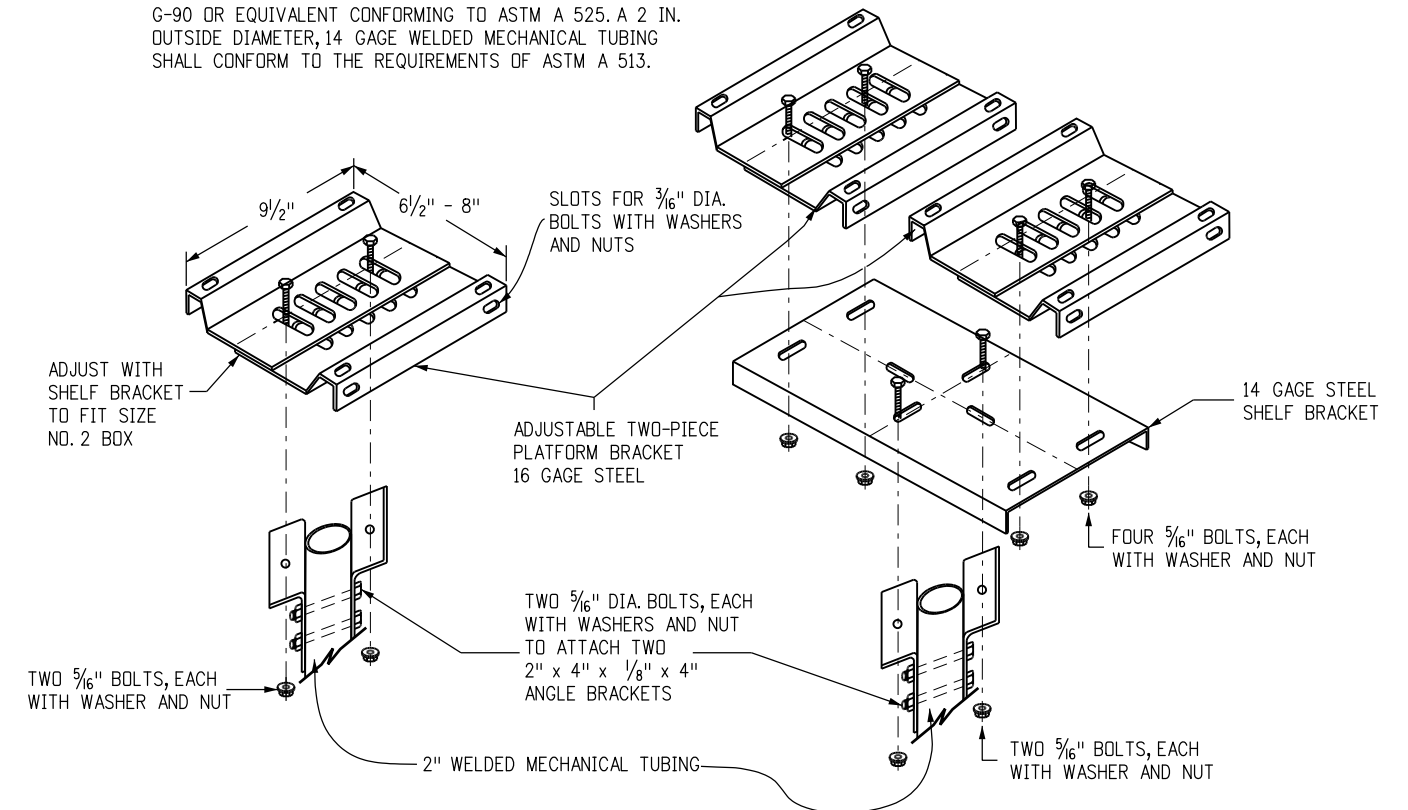


PLATFORM BRACKET

* DIMENSIONS VARY TO FIT SIZE OF MAILBOX USED



SHELF BRACKET



SINGLE AND DOUBLE MAILBOX SUPPORTS ALTERNATIVE

Computer File Information	
Creation Date: 07/04/12	Initials: DD
Last Modification Date: 07/04/12	Initials: LTA
Full Path: www.coloradodot.info/business/designsupport	
Drawing File Name: 210010102.dgn	
CAD Ver.: MicroStation V8 Scale: Not to Scale Units: English	

Sheet Revisions	
Date:	Comments
(R-X)	
(R-X)	
(R-X)	
(R-X)	

Colorado Department of Transportation
 4201 East Arkansas Avenue
 Denver, Colorado 80222
 Phone: (303) 757-9083
 Fax: (303) 757-9820

Project Development Branch DD/LTA

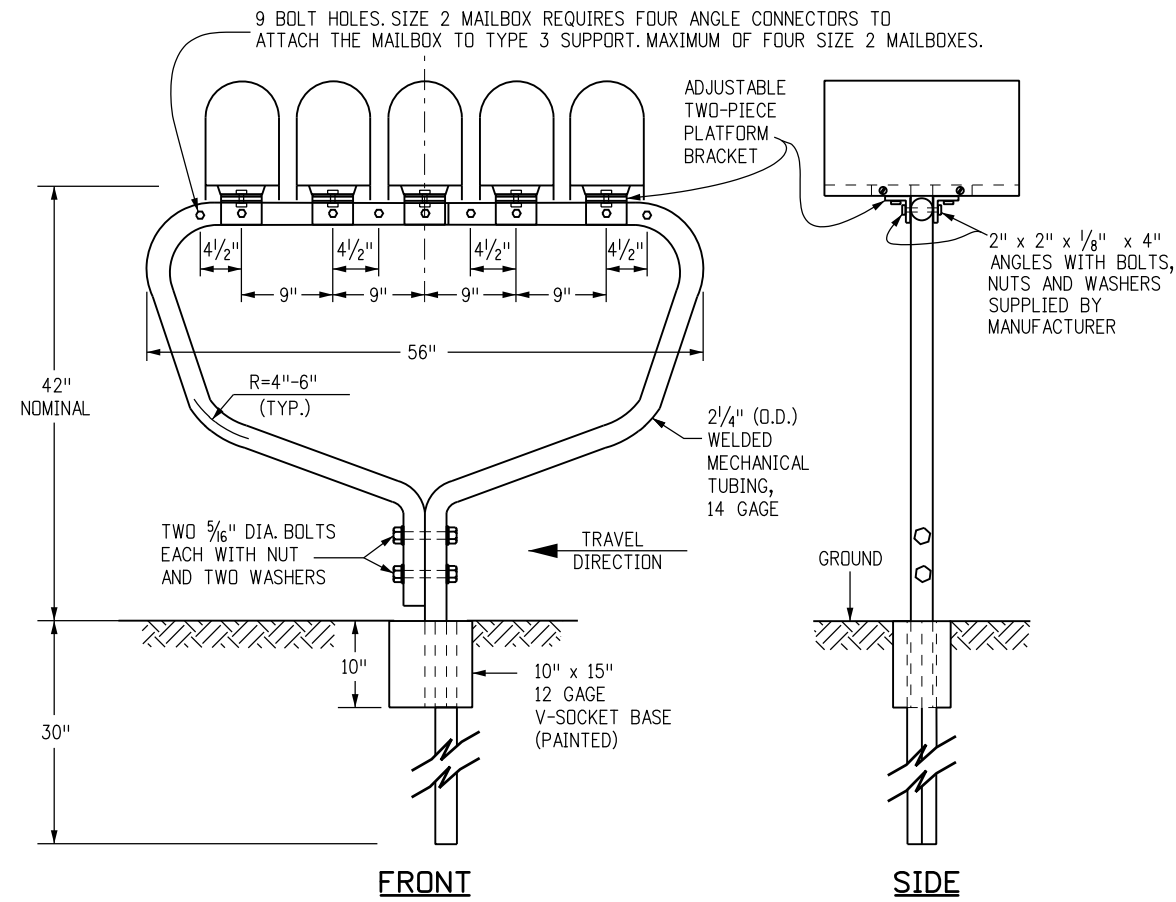
MAILBOX SUPPORTS

Issued By: Project Development Branch July 4, 2012

STANDARD PLAN NO.

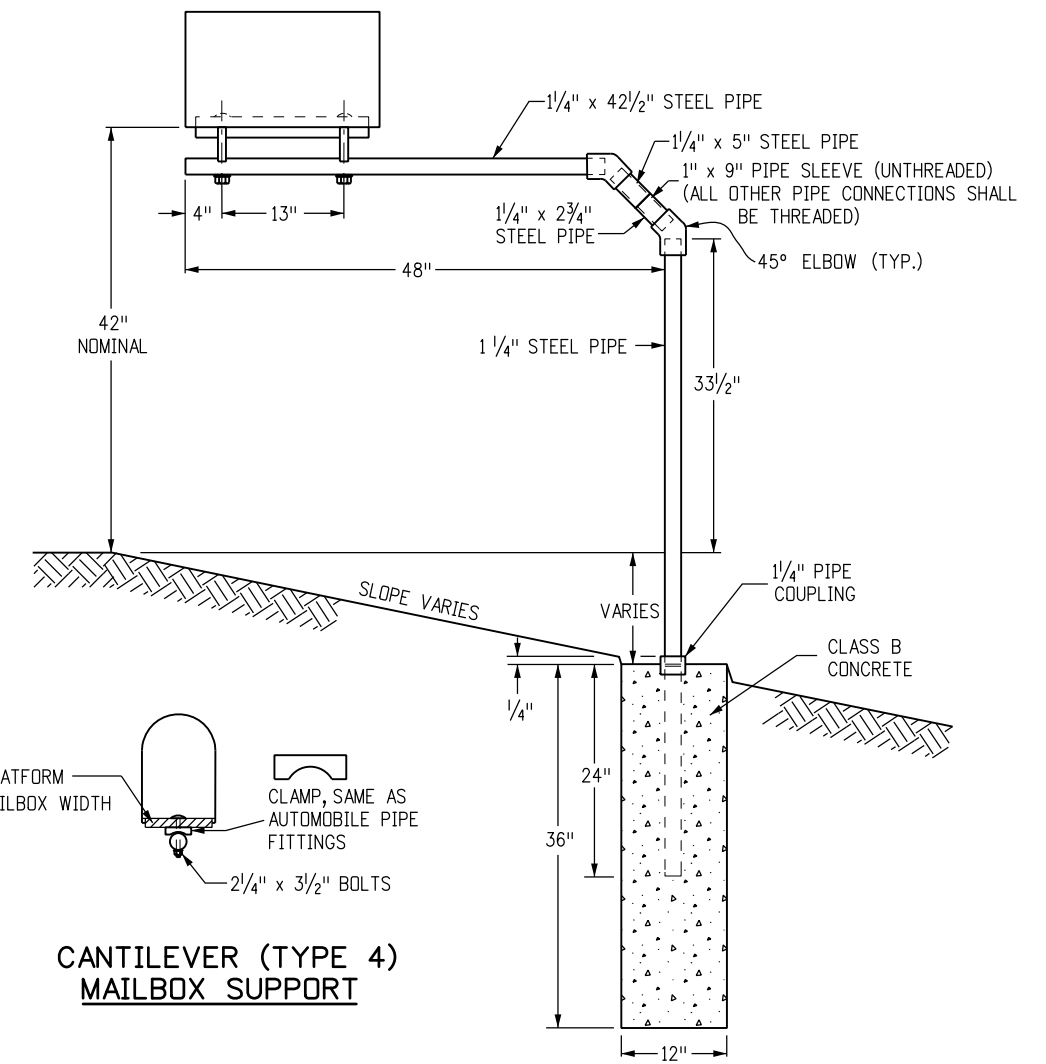
M-210-1

Sheet No. 1 of 2

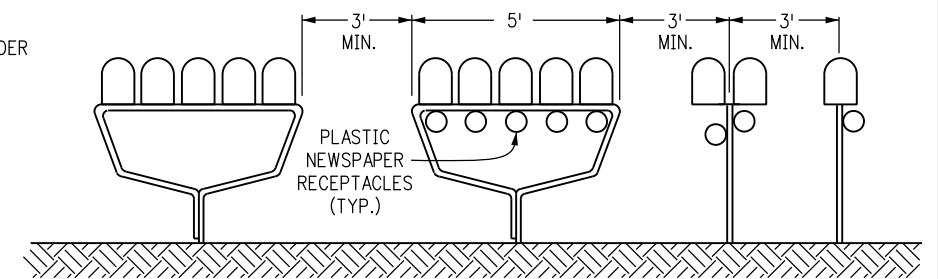
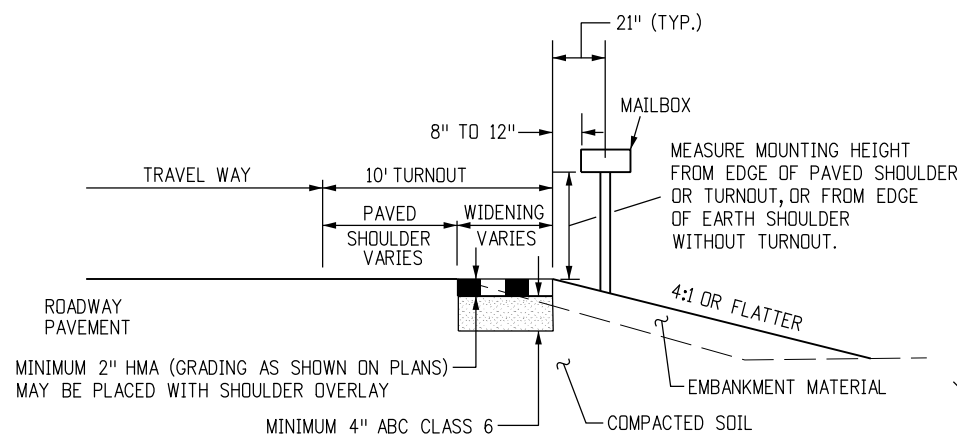
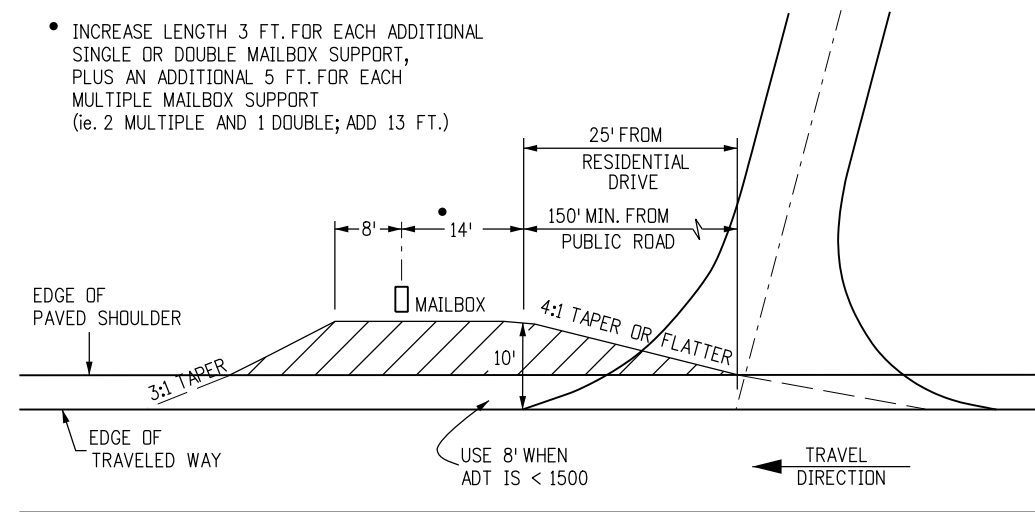


MULTIPLE (TYPE 3) MAILBOX SUPPORT FOR 3, 4, OR 5 MAILBOXES OR APPROVED EQUAL

FIVE SIZE 1 MAILBOXES SHOWN



- INCREASE LENGTH 3 FT. FOR EACH ADDITIONAL SINGLE OR DOUBLE MAILBOX SUPPORT, PLUS AN ADDITIONAL 5 FT. FOR EACH MULTIPLE MAILBOX SUPPORT (ie. 2 MULTIPLE AND 1 DOUBLE; ADD 13 FT.)



NOTE: SEE SHEET 1, GENERAL NOTE 7, FOR MOUNTING PLASTIC NEWSPAPER RECEPTACLES.

Computer File Information		Sheet Revisions		Colorado Department of Transportation  4201 East Arkansas Avenue Denver, Colorado 80222 Phone: (303) 757-9083 Fax: (303) 757-9820 Project Development Branch DD/LTA	MAILBOX SUPPORTS Issued By: Project Development Branch July 4, 2012	STANDARD PLAN NO.	
Creation Date: 07/04/12	Initials: DD	Date:	Comments:			M-210-1	
Last Modification Date: 07/04/12	Initials: LTA					Sheet No. 2 of 2	
Full Path: www.coloradodot.info/business/designsupport	(R-X)						
Drawing File Name: 210010202.dgn	(R-X)						
CAD Ver.: MicroStation V8	Scale: Not to Scale	Units: English					